

EXISTING HOUSEHOLD DRAINS TO BE CONNECTED, OR PLUG INSERTED ALLOWING FOR FUTURE HOUSEHOLD DRAIN.

NOTE: PROVIDE 100 MM DIA. DRAIN AS SHOWN ABOVE, ON THE LOW SIDE OF EACH VACANT ALLOTMENT, OR WHERE OTHERWISE DIRECTED.

CHECKED
Jon Stacey

APPROVED
Jon Stacey

SCALE
N.T.S.

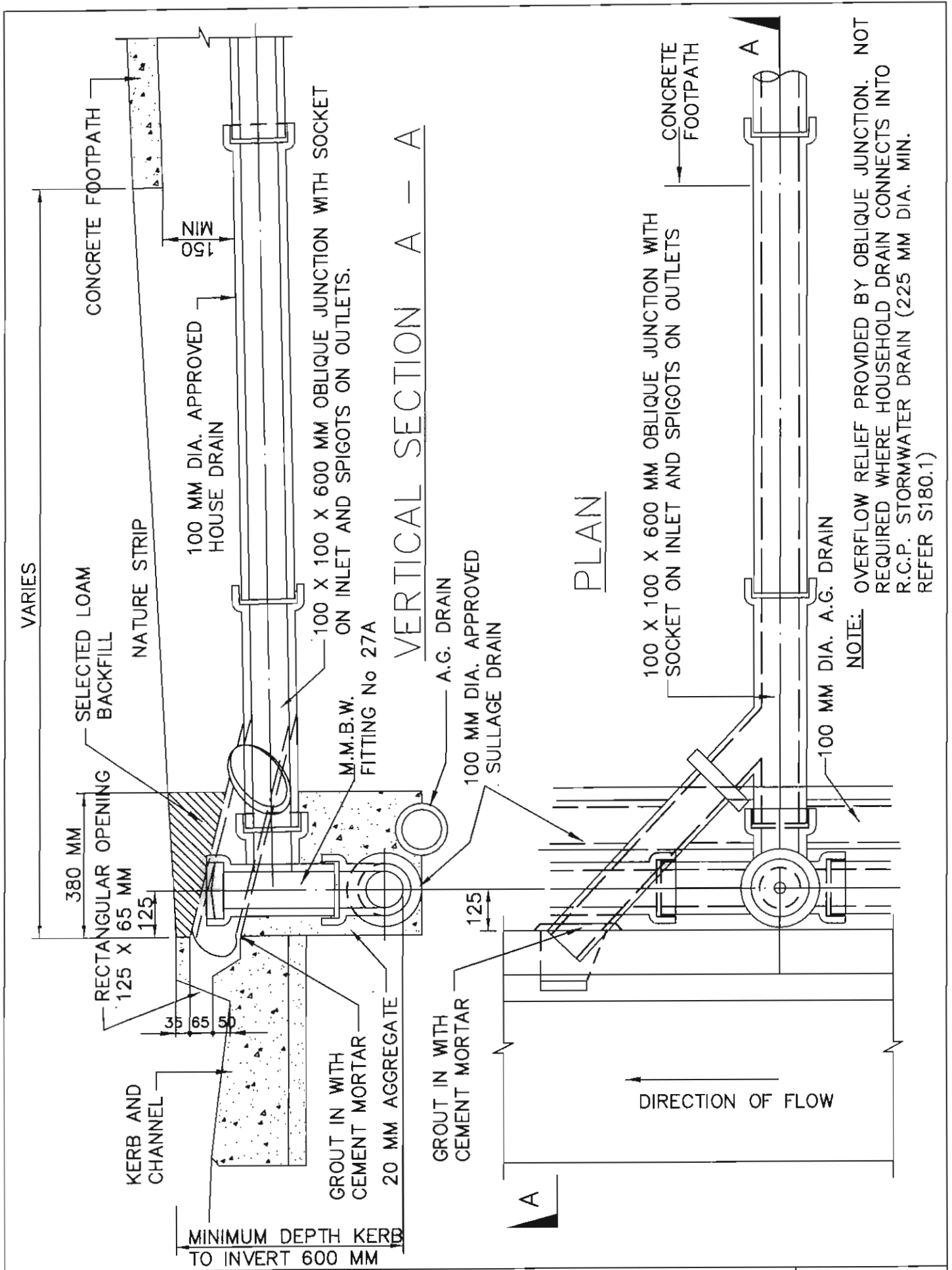
KNOX CITY COUNCIL

HOUSEHOLD TO STORMWATER DRAIN

DATE
1-8-2001

REVISION

CAD FILE NAME
S 180.1



CHECKED
Jan Stacey

APPROVED
Jan Stacey

SCALE
N.T.S.

KNOX CITY COUNCIL

HOUSEHOLD TO SULLAGE DRAIN

DATE
1-8-2001

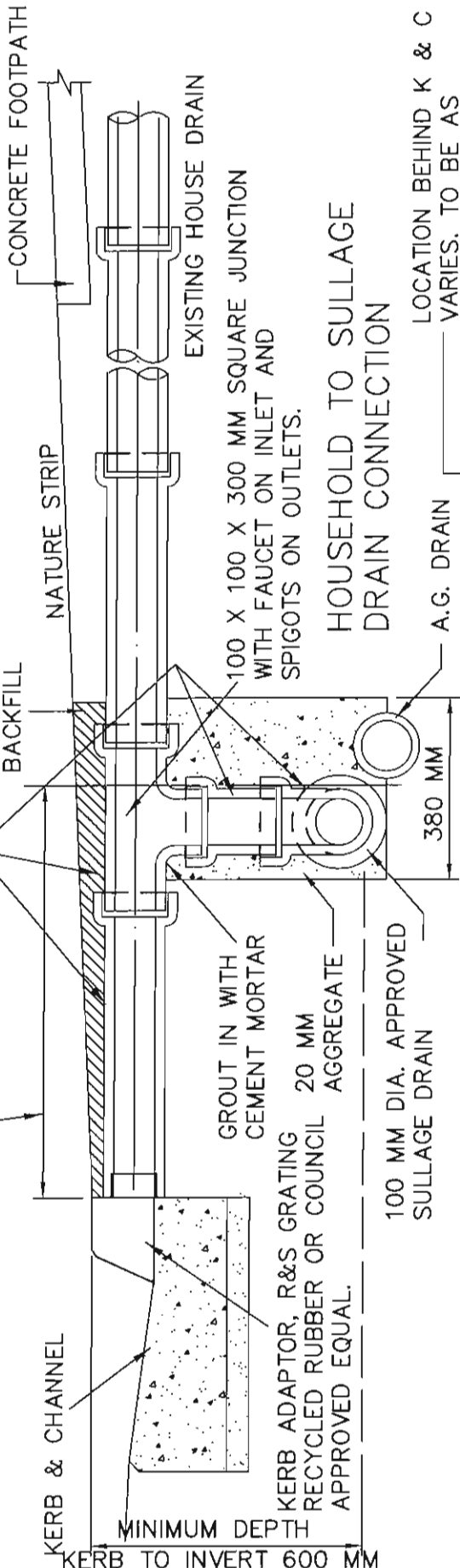
REVISION

CAD FILE NAME
S 180.2

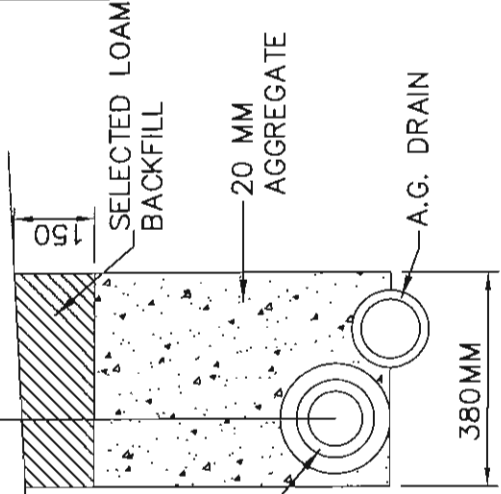
NOTE: HOUSEHOLD SULLAGE DRAIN CONNECTION CONSISTS OF ALL FITTINGS NECESSARY TO CONNECT THE EXISTING HOUSE DRAIN TO THE 100 MM DIA. APPROVED SULLAGE DRAIN.

LOCATION BEHIND K & C VARIES. TO BE AS DIRECTED - GENERALLY 675 MM.

HOUSEHOLD SULLAGE DRAIN CONNECTION.



LOCATION BEHIND K & C VARIES. TO BE AS DIRECTED - GENERALLY 675 MM.



100 MM DIA. APPROVED SULLAGE DRAIN

NOTE: THE COMBINED SULLAGE/A.G. DRAIN CONSISTS OF BOTH THE LONGITUDINAL 100 MM DIA. APPROVED DRAIN AND THE A.G. DRAIN AS SHOWN.

COMBINED SULLAGE/A.G. DRAIN

NOTE: I.O. TO BE PLACED ON SULLAGE DRAIN AT 300 MM DOWNSTREAM FROM HOUSEHOLD CONNECTION AND OTHER I.O.'s TO BE PLACED ELSEWHERE AS SPECIFIED AND THE POSITIONS OF SUCH OTHER I.O.'s SHALL BE INDICATED BY AN APPROVED NEATLY CHIPPED 'H' 50 MM HIGH ON THE TOP OF THE KERB.

CHECKED *[Signature]*
 APPROVED *[Signature]*
 SCALE N.T.S.

KNOX CITY COUNCIL

COMBINED SULLAGE/A.G. DRAIN AND HOUSEHOLD TO SULLAGE DRAIN WHERE OUTLET TO K & C EXISTS

DATE 7-5-2009
 REVISION A
 CAD FILE NAME S 180.3