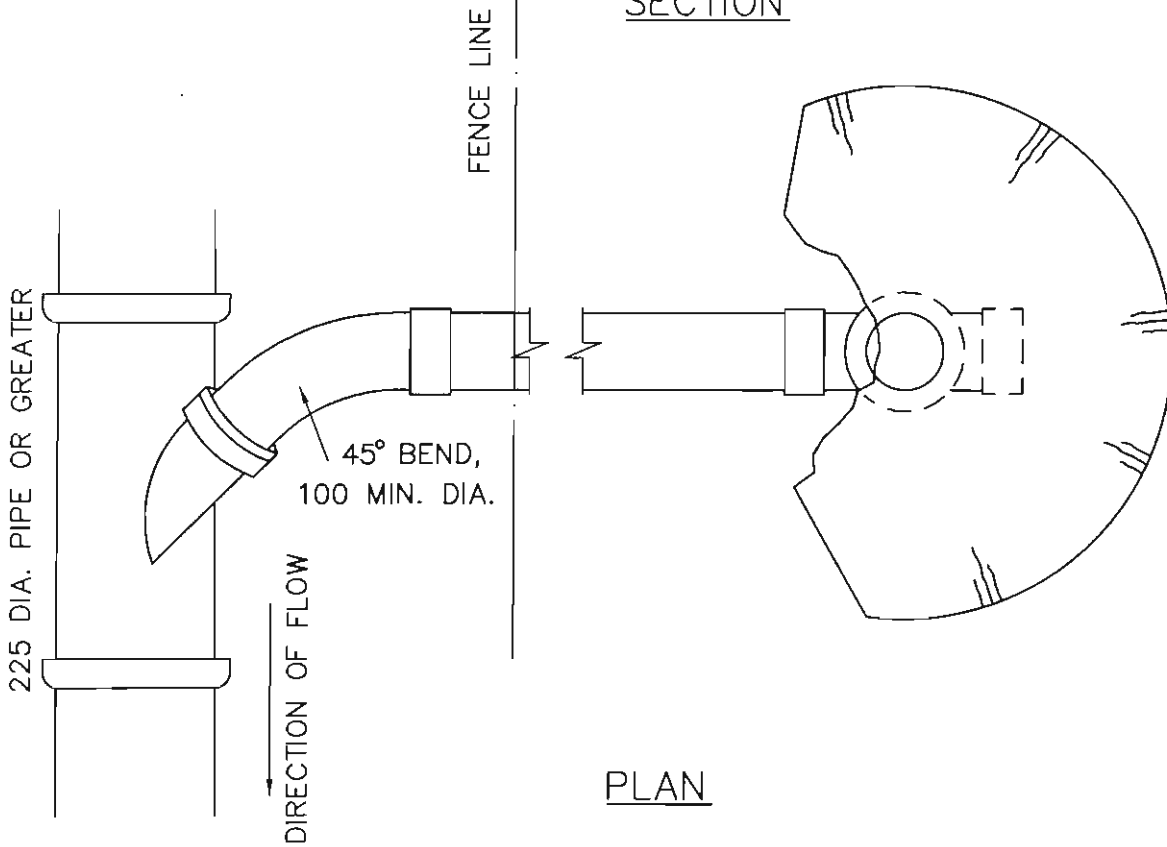


SECTION



CHECKED *Raley*

APPROVED *K Ward*

SCALE
N.T.S.

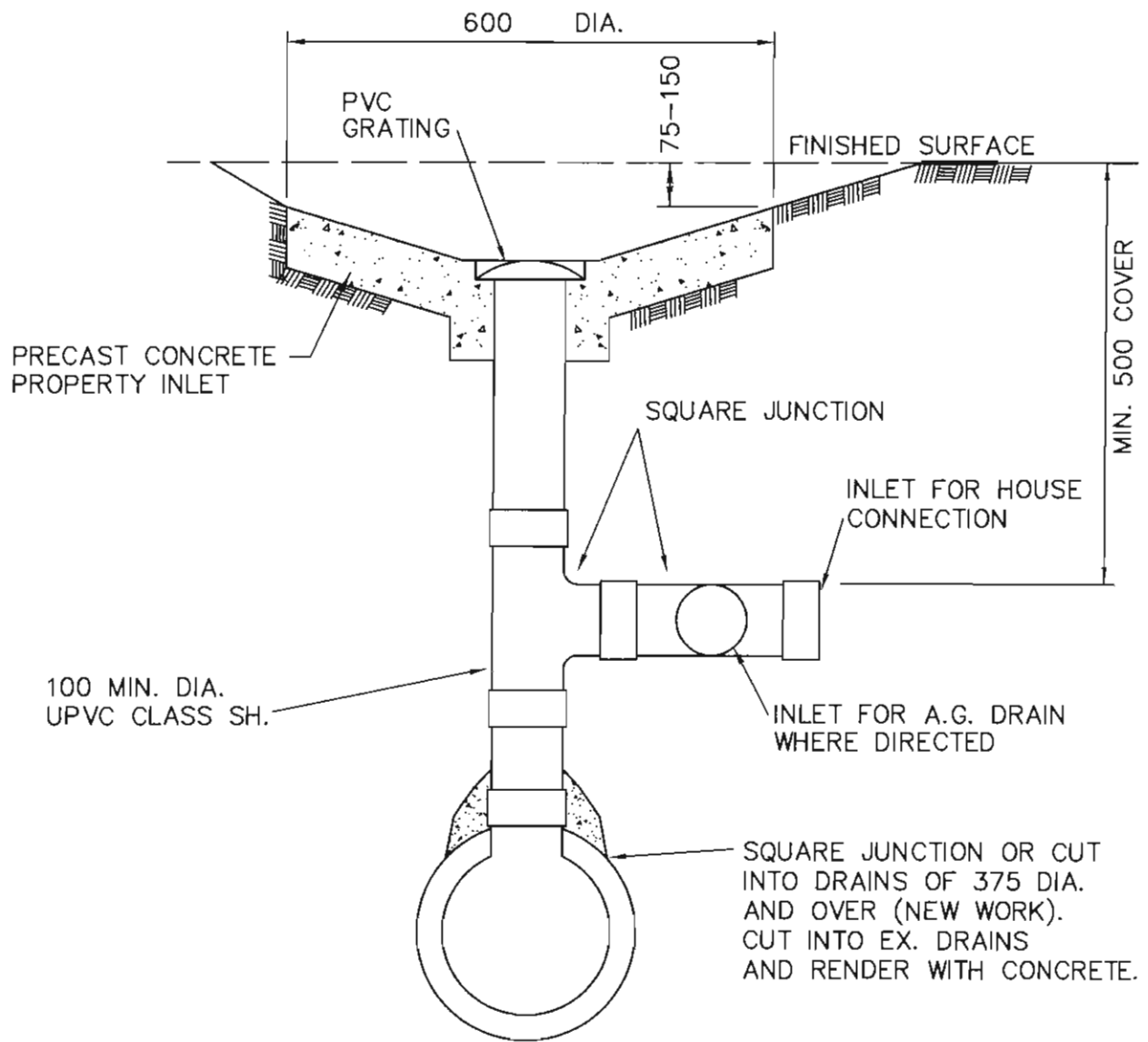
KNOX CITY COUNCIL

PROPERTY DRAIN CONNECTION
UNDER FENCE TO EASEMENT DRAIN

DATE
1-2-2006

REVISION
A

CAD FILE NAME
S 100.1



CHECKED *[Signature]*

APPROVED *[Signature]*

SCALE
N.T.S.

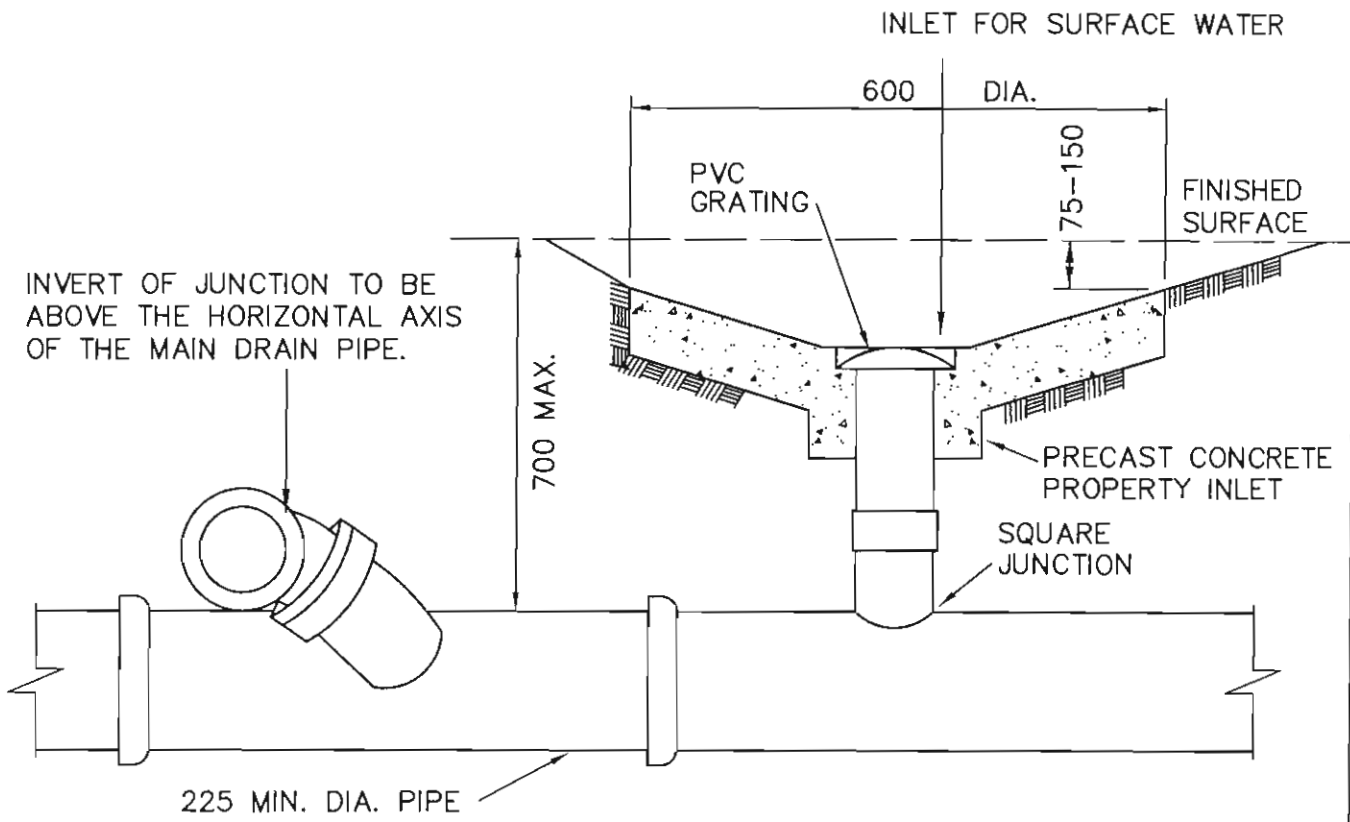
KNOX CITY COUNCIL

PROPERTY DRAIN CONNECTION
WHERE EASEMENT DRAIN DEPTH IS
GREATER THAN 700

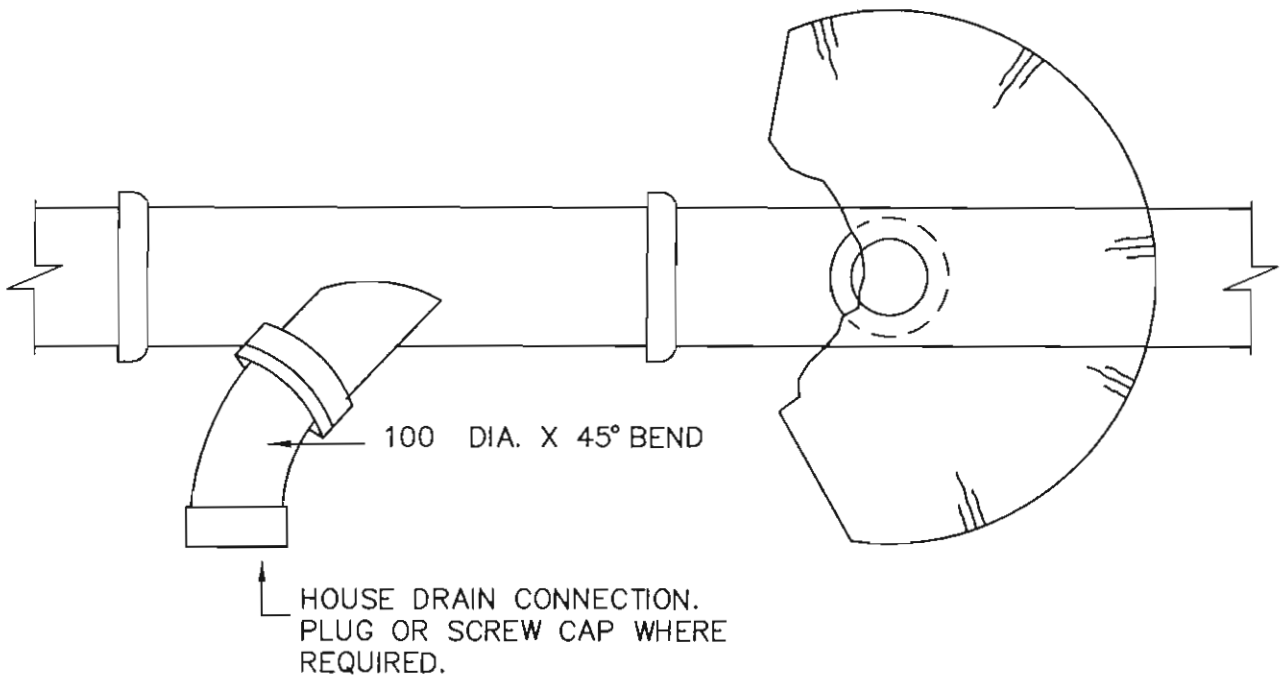
DATE
31-3-2006

REVISION
A

CAD FILE NAME
S 100.2



ELEVATION



PLAN

NOTES

1. FOR USE IN EASEMENT DRAINS WITH COVER LESS THAN 700 MM.

CHECKED *[Signature]*

APPROVED *[Signature]*

SCALE
N.T.S.

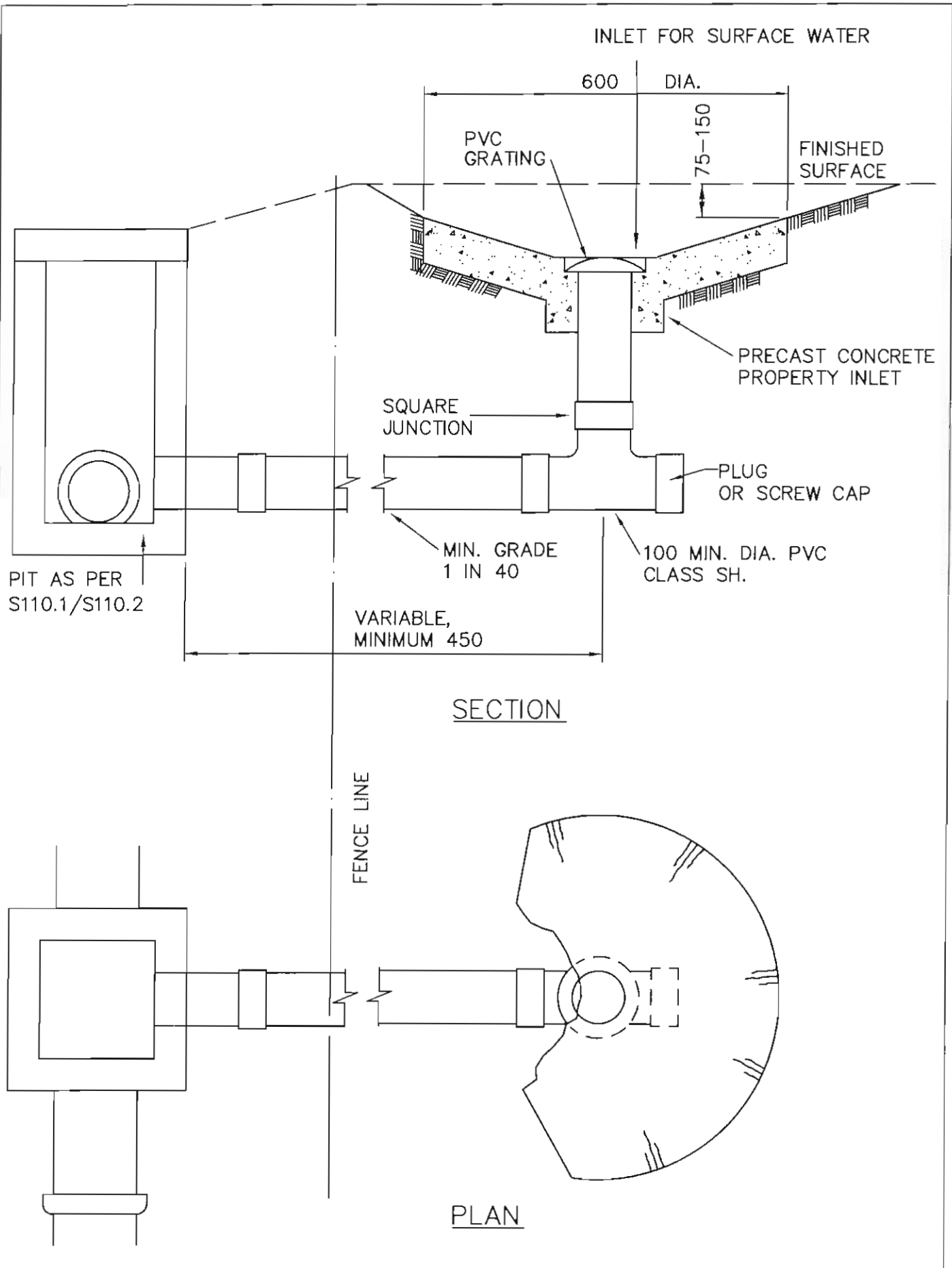
KNOX CITY COUNCIL

PROPERTY DRAIN CONNECTION
WHERE EASEMENT DRAIN DEPTH IS
LESS THAN 700

DATE
31-3-2006

REVISION
A

CAD FILE NAME
S 100.3



CHECKED
Rafay

APPROVED
K Ward

SCALE
N.T.S.

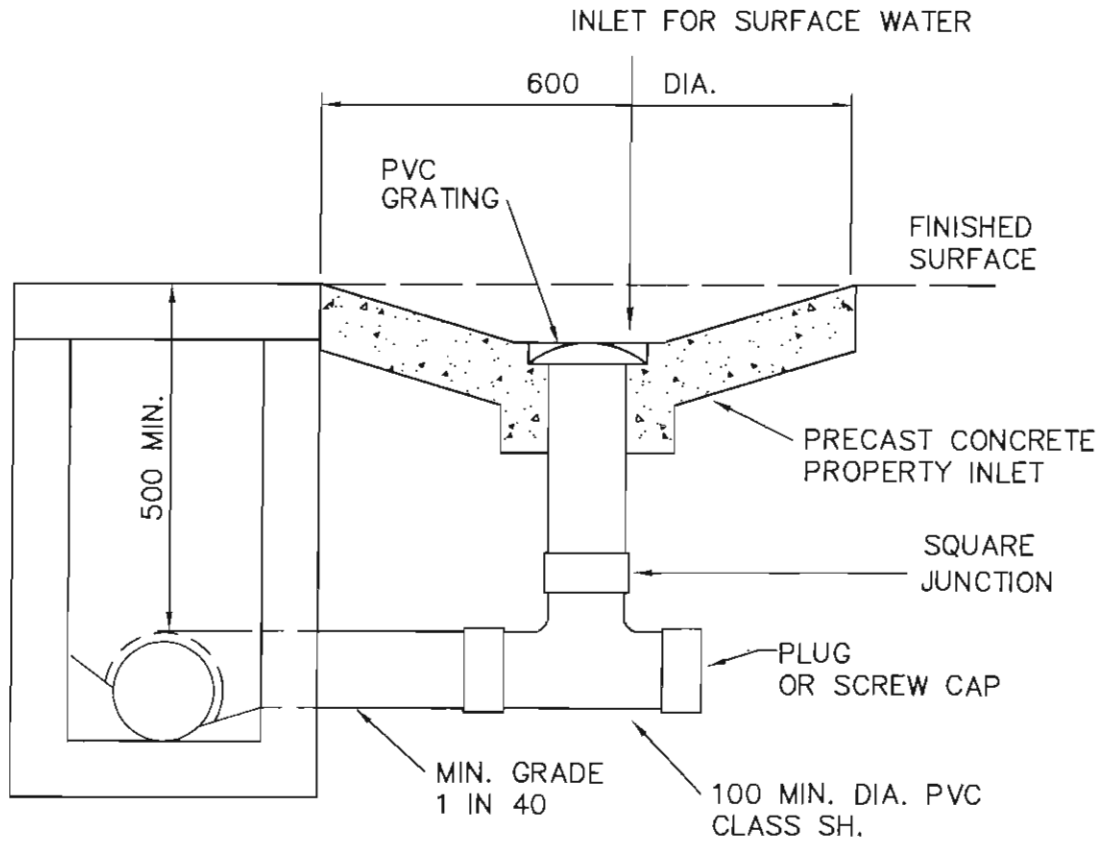
KNOX CITY COUNCIL

PROPERTY DRAIN CONNECTION
UNDER FENCE TO A PIT

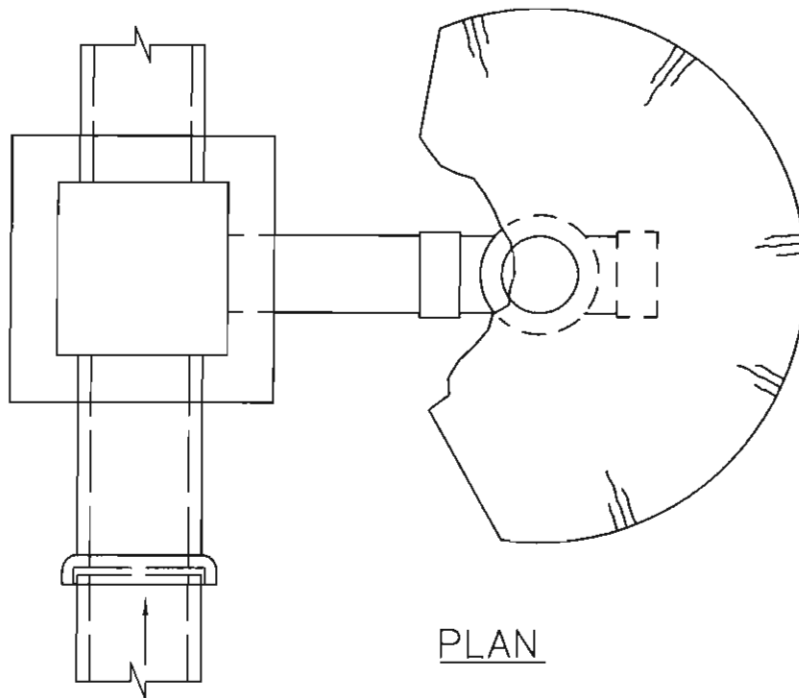
DATE
31-3-2006

REVISION
A

CAD FILE NAME
S 100.4



SECTION



PLAN

CHECKED

Raley

APPROVED

K Ward

SCALE

N.T.S.

KNOX CITY COUNCIL

PROPERTY DRAIN CONNECTION
TO AN ADJACENT PIT

DATE

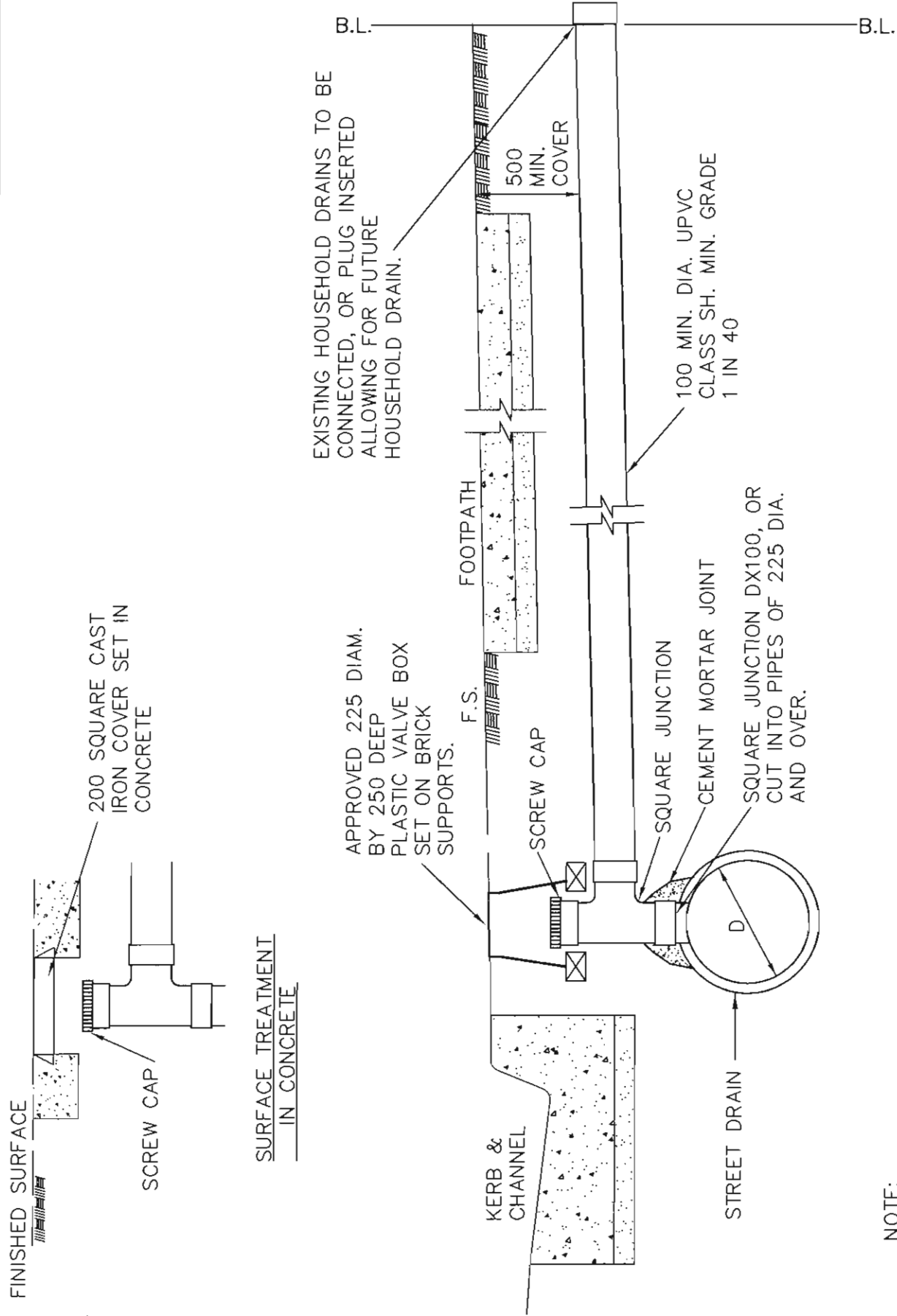
31-3-2006

REVISION

A

CAD FILE NAME

S 100.5



NOTE:
 1. PROVIDE 100 DIA. DRAIN AS SHOWN ABOVE, 6 METRES FROM THE LOW SIDE OF EACH VACANT ALLOTMENT, OR WHERE OTHERWISE DIRECTED.

CHECKED *Palley*
 APPROVED *K Ward*
 SCALE
 N.T.S.

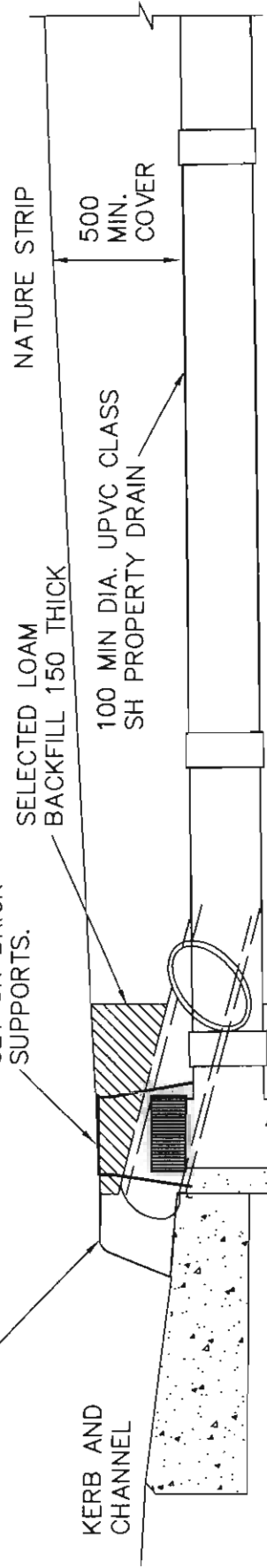
KNOX CITY COUNCIL

PROPERTY DRAIN CONNECTION TO STREET DRAIN

DATE
 6-04-2006
 REVISION
 CAD FILE NAME
 S 100.6

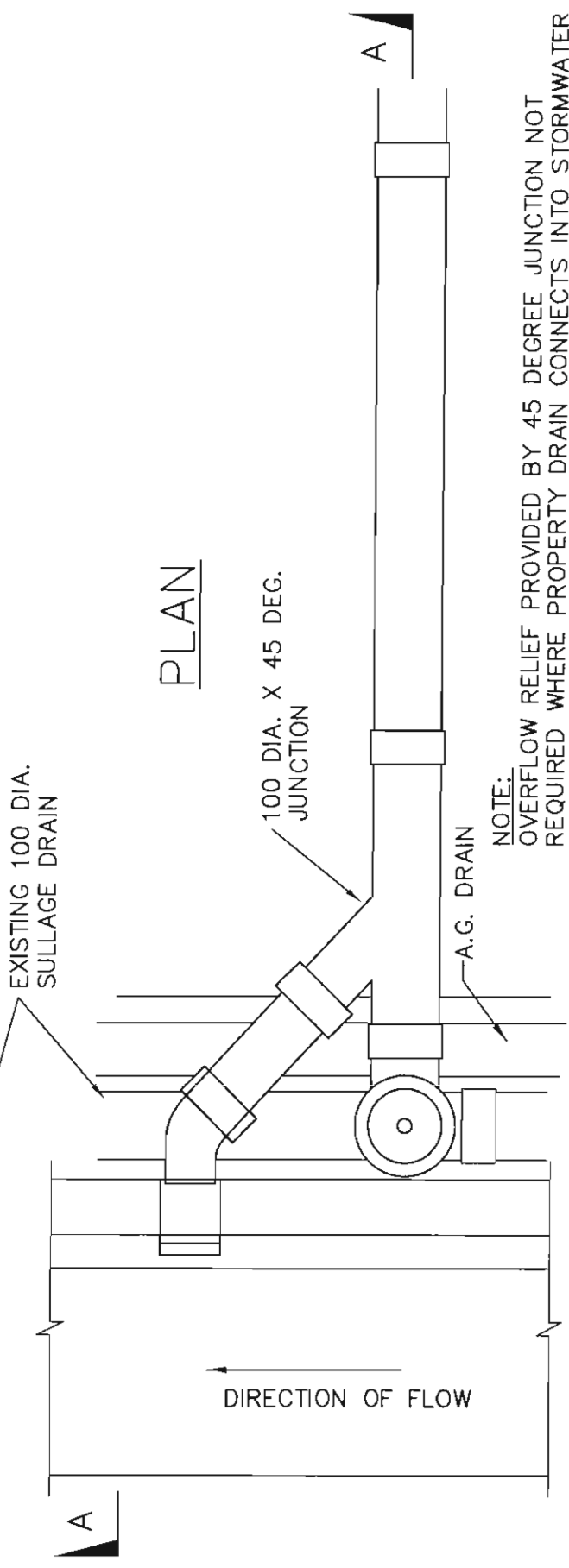
APPROVED 225 DIAM.
BY 250 DEEP
PLASTIC VALVE BOX
SET ON BRICK
SUPPORTS.

KERB ADAPTOR, R&S GRATING
RECYCLED RUBBER OR COUNCIL
APPROVED EQUAL CUT INTO
KERB



SECTION A-A

PLAN



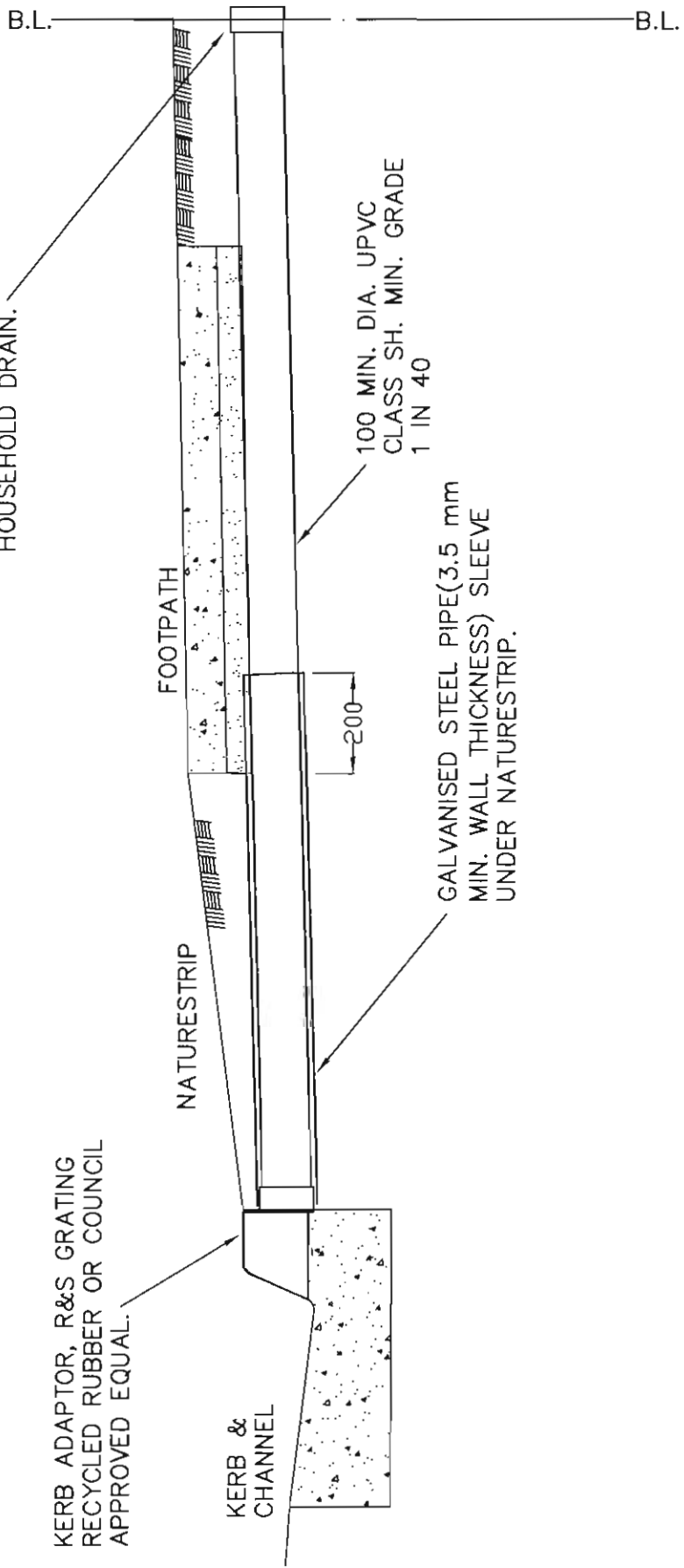
NOTE:
OVERFLOW RELIEF PROVIDED BY 45 DEGREE JUNCTION NOT
REQUIRED WHERE PROPERTY DRAIN CONNECTS INTO STORMWATER
DRAIN (225 DIA. MIN. REFER S100.6)

CHECKED
[Signature]
APPROVED
[Signature]
SCALE
N.T.S.

KNOX CITY COUNCIL
PROPERTY DRAIN CONNECTION
TO EXISTING SULLAGE DRAIN
(NOT FOR USE IN NEW CONSTRUCTION)

DATE
1-2-2006
REVISION
CAD FILE NAME
S 100.7

EXISTING HOUSEHOLD DRAINS TO BE CONNECTED, OR PLUG INSERTED ALLOWING FOR FUTURE HOUSEHOLD DRAIN.



NOTE:
 1. TO BE USED ONLY WHERE CONNECTION TO AN UNDERGROUND DRAIN IS NOT POSSIBLE.

CHECKED *[Signature]*
 APPROVED *[Signature]*
 SCALE
 N.T.S.

KNOX CITY COUNCIL

PROPERTY DRAIN CONNECTION TO KERB

DATE
 30-3-2006
 REVISION
 CAD FILE NAME
 S 100.8